

Robust Detail E-WM-23



Masonry Party Wall, Aircrete Blocks - Standard & Thin Joint, Minimum 100mm cavity

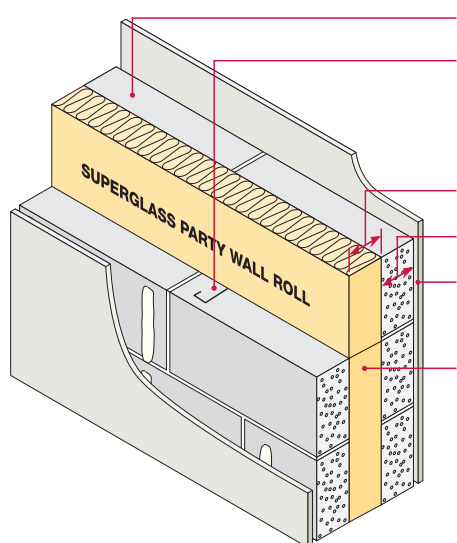
February 2018

Benefits:

- Compliant with standard 12.5mm plasterboard (nominal 8kg/m² density).
- No parge coat required.
- Party Wall Thermal Bypass - Full-fill solution to aid zero u-value compliance.
- No requirement for pre-completion acoustic testing.



E-WM-23



Block density: 600 to 800kg/m³

Wall Ties: Approved Document E 'Tie type A'. For thin joint, wall ties must be Ancon Building Products Staifix HRT4 or Clan PWT4 at no more than 2.5 ties per square metre

Cavity width: 100mm (min)

Block thickness: 100mm (min), each leaf

Wall finish: Gypsum based board mounted on dabs (nominal 8kg/m²)

Insulation: Superglass Party Wall Roll

External flanking wall: Masonry (both leaves) with 50mm (min) cavity - fully filled or partially filled with Superglass Superwall Cavity Slabs or fully filled with Superglass Superwhite 34 Blown Cavity Insulation.

The requirements of the Robust Details Handbook should be strictly followed.

Superglass Party Wall Roll							
Thickness (mm)	Length (m)	Width (mm)	Fire Classification when tested to BS EN 13501-1 Reaction to Fire	Generic BRE Green Guide Rating	Approved Document E (Eng & Wal) Acoustic Performance in excess of 45 dB DnT,w+ Ctr(*)	Contributes to zero effective U-value (**)	Code for Sustainable Home Credits
100	5.75	3 x 455	A1 non-combustible	A+	YES	YES	3
125	4.50	3 x 455	A1 non-combustible	A+	YES	YES	3
150	3.50	3 x 455	A1 non-combustible	A+	YES	YES	3

(**) When used in conjunction with effective edge sealing

For more information on the above Robust Detail please visit www.robustdetails.com or call our Technical Team on **0808 1645 134**.

The Part E Robust Details Handbook states that the separating cavity in E-WM-23 can only be insulated using Superglass Party Wall Roll. Acoustic testing has been completed to demonstrate suitability in the above construction. If this solution were to be used on site with an equivalent construction and the same build quality, it would achieve the sound insulation performance level required by Approved Document E (England and Wales).

Northern Ireland

The Department of Finance and Personnel has accepted the Robust Details scheme as the alternative to pre-completion sound testing to demonstrate compliance with Part G (NI) for new dwellings. Builders wishing to register and construct plots in Northern Ireland can use the Part E (E&W) Handbook and documentation.

More Robust Details Solutions which can incorporate Superglass Party Wall Roll

Robust Details Solutions				
Robust Detail	Minimum Cavity Width (mm)	Block Type & Density (kg/m ³)	Parge Coat Required	Wall Finish
E-WM-1	75	Dense Aggregate - 1850 to 2300	No	Wet Plaster
E-WM-2	75	Lightweight Aggregate - 1350 to 1600	No	Wet Plaster
E-WM-3	75	Dense Aggregate - 1850 to 2300	Yes	Render and gypsum-based board on dabs
E-WM-4	75	Lightweight Aggregate - 1350 to 1600	Yes	Render and gypsum-based board on dabs
E-WM-5	75	Besblock 'Star Performer' - 1528	Yes	Render and gypsum-based board on dabs
E-WM-6	75	Aircrete - 600 to 800	Yes	Render and gypsum-based board on dabs
E-WM-10	75	Aircrete - Thin Joint System - 600 to 800	Yes	Render and gypsum-based board on dabs
E-WM-11	100	Lightweight Aggregate - 1350 to 1600	Yes	Render and gypsum-based board on dabs
E-WM-12	75	Plasmor 'Aglite Ultima' - 1050	Yes	Render and gypsum-based board on dabs
E-WM-13	75	Aircrete - Thin Joint Untied System - 600 to 800	Yes	Render and gypsum-based board on dabs
E-WM-16	100	Dense Aggregate - 1850 to 2300	Yes	Render and gypsum-based board on dabs
E-WM-18	100	Dense Aggregate - 1850 to 2300	No	Wet Plaster
E-WM-19	100	Dense - 1850 to 2300 or Lightweight Aggregate - 1350 to 1600	Yes	Render and gypsum-based board on dabs
E-WM-21	100	Lightweight Aggregate - 1350 to 1600	No	Wet Plaster
E-WM-22	100	Lightweight Aggregate - 1350 to 1600 or Plasmor 'Aglite Ultima' - 1050	No	Gypsum-based board on dabs
E-WM-25	100	Porotherm - Thin Joint - n/a	Yes	Ecoparge gypsum-based board on dabs
E-WM-26	100	Besblock 'Star Performer' - 1528	No	Gypsum-based board on dabs
E-WM-27	75	Lightweight Aggregate - 1350 to 1600	No	Gypsum-based board on dabs
E-WM-29	75	Porotherm - Thin Joint - n/a	Yes	Ecoparge gypsum-based board on dabs

The above table is to be used as a guide only. Always refer to the Robust Details Handbook.

Assessment for Robust Details status is carried out by Robust Details Limited. Constructions are subjected to a series of acoustic tests in accordance with the requirements of Approved Document E and, if successful, published in the Robust Details Handbook.

Robust Details Limited carries out ongoing quality checking of existing Robust Details in use.

See www.robustdetails.com.

Northern Ireland

The Department of Finance and Personnel has accepted the Robust Details scheme as the alternative to pre-completion sound testing to demonstrate compliance with Part G (NI) for new dwellings. Builders wishing to register and construct plots in Northern Ireland can use the Part E (E&W) Handbook and documentation.

Superglass Insulation Limited

Thistle Industrial Estate, Kerse Road, Stirling, Scotland FK7 7QQ

TECHNICAL

Hotline: **0844 381 4022**

Email: technical@superglass.co.uk

SALES

Tel: **01786 451170**

Email: sales@superglass.co.uk

www.facebook.com/superglassinsulationltd

www.twitter.com/superglassins

www.linkedin.com/company/superglass-insulation-ltd

All rights are reserved, including those of photomechanical reproduction and storage in electronic media. Commercial use of the processes and work activities presented in this document is not permitted. Extreme caution was observed when putting together the information, texts and illustrations in this document. Nevertheless, errors cannot quite be ruled out. The publisher and editors cannot assume legal responsibility or any liability whatever for incorrect information and the consequences thereof. The publisher and editors will be grateful for improvement suggestions and details of errors pointed out.

REF: 25979

